

# SANIBEST® Pro Grinder

## CONNECTIONS



TOILET



SINK



SHOWER



BATHTUB



LAUNDRY  
SINK



WASHING  
MACHINE

## APPLICATIONS



RESIDENTIAL

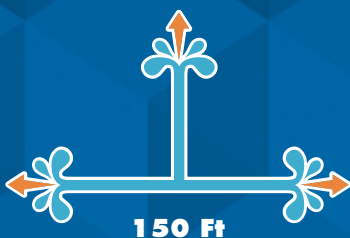


COMMERCIAL



## PUMPING DISTANCE

25 Ft



150 Ft



### INSTALLATION BEHIND THE TOILET



Example of installation. Follow local plumbing codes for actual install.

### INSTALLATION BEHIND THE WALL



Example of installation. Follow local plumbing codes for actual install.

The Sanibest Pro is a 1 HP pump system used to install a complete bathroom up to 25 feet below the sewer line, or even up to 150 feet away from a soil stack. It incorporates a grinder system which is ideal for uncontrolled environments in both residential and commercial applications (ie. rental unit, offices, warehouses, etc). The Sanibest Pro is designed to handle sanitary products that may have been flushed down the toilet; such may consist of condoms, sanitary napkins, q-tips, dental floss, etc.

- Discharges the waste through a 3/4" or 1" rigid pipe. A non-return valve is included on the discharge elbow assembly provided with the system. This elbow can be rotated 360 degrees depending on the discharge installation.
- Has been designed with a 1-1/2" vent connection on the top of the lid. All plumbing codes require connection to a vent system. Please note that the vent system should be a two-way air vent as air needs to freely flow both ways. Note: The use of mechanical vents, air admittance valves or similar devices is not permitted.
- Must be connected to Saniflo's 1.28 GPF / 4.8 LPF rear discharge toilet. These toilets come in round and elongated (ADA compliant) models. More technical information on page 6.
- Will also discharge gray water from any sink, bath/shower, urinal and even a washing machine (indirect connection). The wastewater will drain into the system via two 2" inlets with built-in check valves on either side of the housing. Note that when adding a bathtub/shower, the base should be raised up by a minimum of 8" off the floor.
- An easy access service panel is located on top of the pump. This will give you easy access to the electrical components such as the capacitor, microswitch, electronic board and membrane. For a full list of parts, please refer to the next page.



#### Toilet Tank

(Part N° 005)

Insulated 1.28 GPF / 4.8 LPF toilet tank equipped with all internal valves. For more information, please turn to page 6.

#### Round/Elongated Bowl

(Part N° 083 or 087)

Rear discharge toilet with 16 3/4" seating height (Elongated bowl is ADA compliant). For more information, please turn to page 6.

#### Extension Pipe

(Part N° 030)

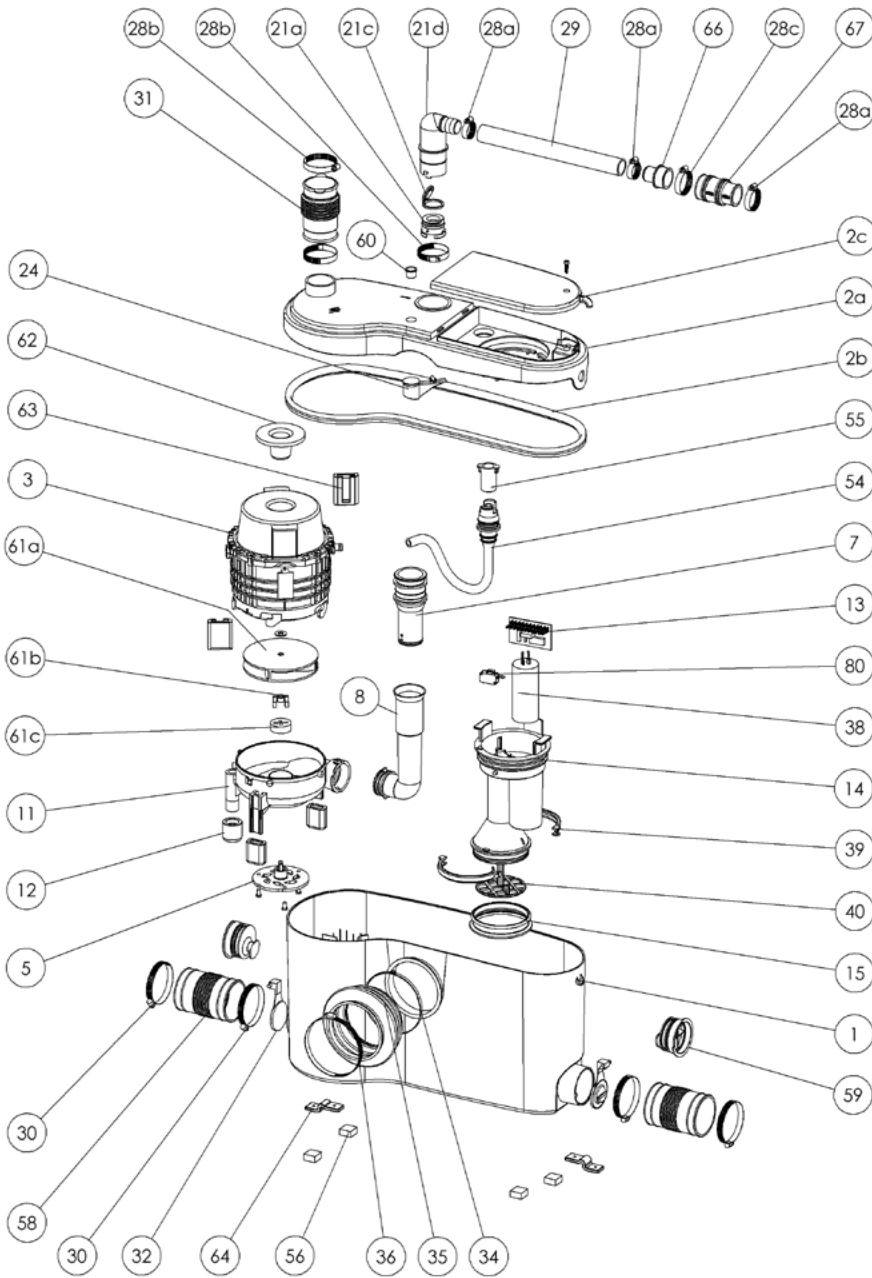
18" long PVC pipe with internal gasket used to hide the pump behind the wall. For more information, please turn to page 51.

#### Sanibest Pro

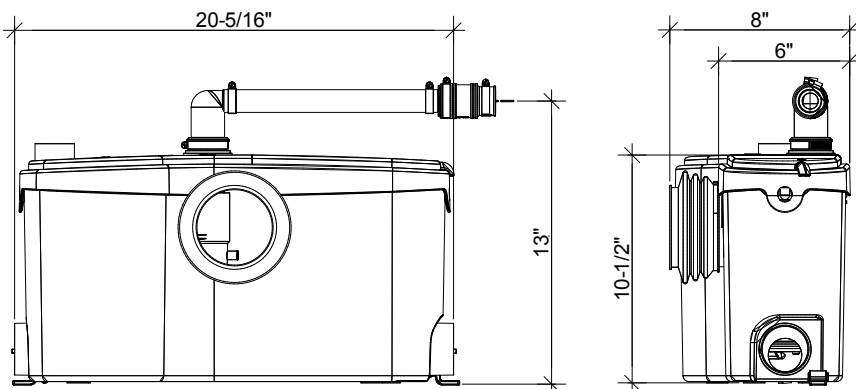
(Part N° 013)

1 HP grinder pump for commercial applications that is able to handle the accidental flushing of sanitary napkins from full bathroom applications.

**PLEASE CALL US TOLL-FREE AT  
800-571-8191 (US) / 800-363-5874 (CDN)  
TO PURCHASE PARTS REFERENCED BELOW**



**DIMENSIONAL DRAWINGS**



**Choose any shower, bathtub or sink and enjoy your dream bathroom.**

**TECHNICAL SPECIFICATIONS**

**Pump type:**

Grinder

**Electrical:**

120 V – 60 Hz / 9 Amps (Max)

**Motor:**

1 HP oil-filled thermally protected motor

**Capacitor rating:**

60 microfarad

**Operating Temperature:**

104°F (110°F Max.)

**Power cord length:**

49 inches

**Noise level:**

≤ 63 dBA (Lp) (measured at 3 ft.)

**Discharge pipe diameter:**

3/4" or 1"

**Discharge rate at 25 ft:**

19 GPM

**Discharge rate at 3 ft:**

38 GPM

**Shut-off head:**

38 ft.

**Normal running time:**

10-12 seconds

**Capacity:**

3.2 gallons / 12.1 liters

**Inlets:**

2" (side), 1-1/2" vent (top)

**Method of activation:**

Membrane/microswitch

**Shower/bathtub base height:**

8" min

**Weight:**

28 lbs / 12.7 kg

**Certifying agencies:**

CSA (IPC, NSPC), IAPMO (UPC)

**Recommended accessories:**

Descaler, Sanialarm

**Connections:**

Rear outlet toilet, sink, shower/bathtub, washing machine (indirect connection via laundry sink)

