

SANIPACK Macerator

CONNECTIONS



TOILET



SINK



SHOWER

APPLICATION



RESIDENTIAL

FULL VIEW OF COMPLETE BATHROOM



Example of installation. Follow local plumbing codes for actual install.

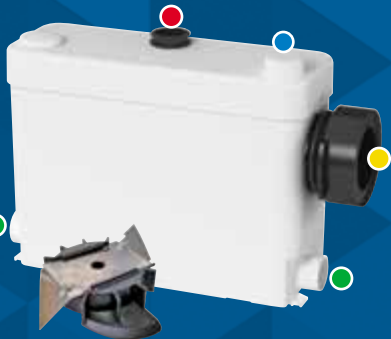
CLOSE-UP VIEW OF PRODUCT



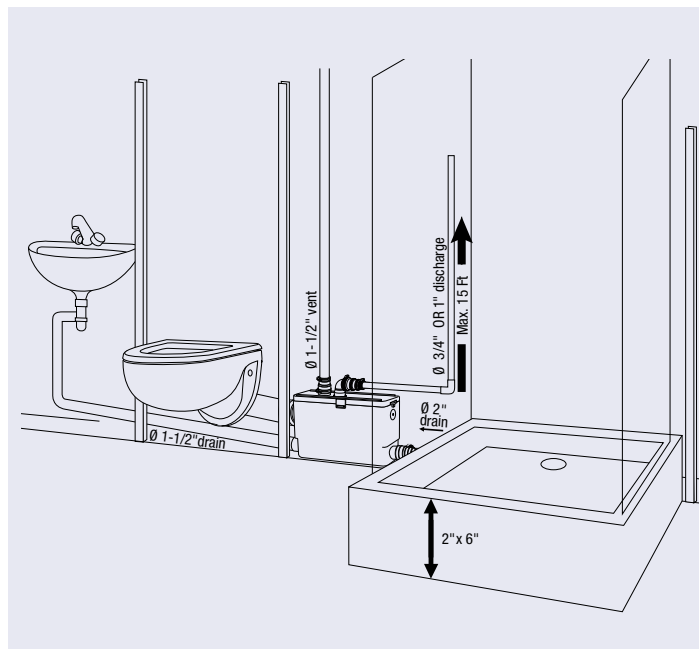
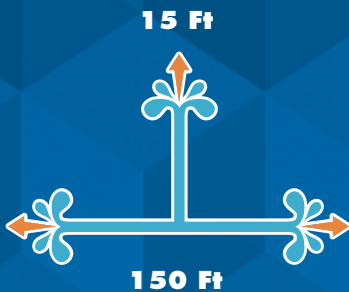
Example of installation. Follow local plumbing codes for actual install.

The **Sanipack is a 1/2 HP pump system** used to install a complete bathroom up to **15 feet below the sewer line, or even up to 150 feet away** from a soil stack. It incorporates a **macerating system** which can handle human waste and toilet paper in residential applications. The blade is made out of a hardened stainless steel material **which eliminates the need for any service or replacement.**

- **Discharges the waste through a 3/4" or 1" rigid pipe. A non-return valve is included** on the discharge elbow assembly provided with the system. This elbow can be rotated 360 degrees depending on the discharge installation.
- Has been designed with a **1-1/2" vent connection** on the top of the lid. All plumbing codes require connection to a vent system. Please note that the vent system should be a two-way air vent as air needs to freely flow both ways. Note: The use of mechanical vents, air admittance valves or similar devices is not permitted.
- This pump is designed to be connected to **any wall-hung toilet** (not supplied by Saniflo). Note that there should be a minimum 1/4" per foot gravity fall on the waste pipe coming from the toilet into the pump.
- Will also discharge gray water from any **sink, shower or urinal**. The wastewater will drain into the system via **two 1-1/2" inlets with built-in check valves** on either side of the housing. Note that when adding a shower, the base should be raised up by a minimum of 6" off the floor.



PUMPING DISTANCE



USE ANY WALL-HUNG TOILET TO COMPLETE YOUR BATHROOM INSTALLATION

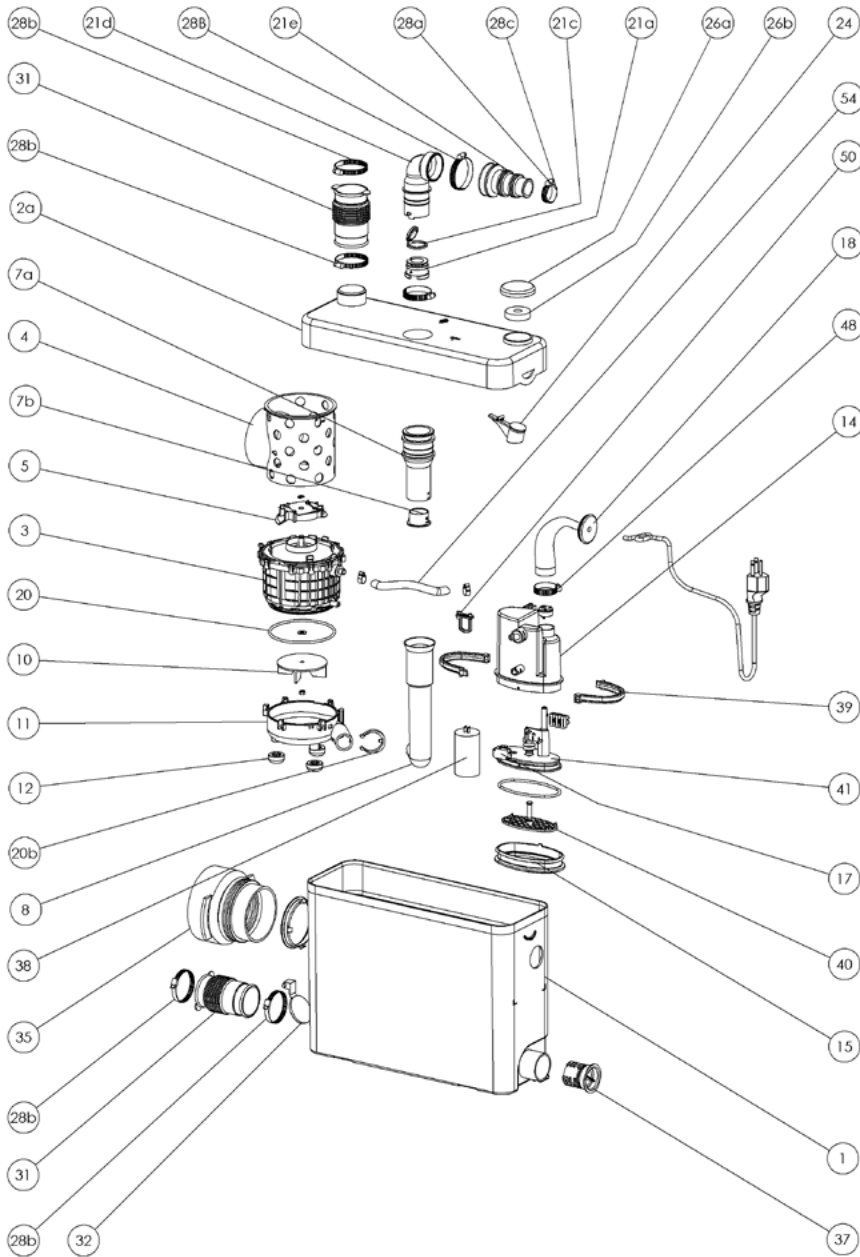
There are no limitations when it comes to designing your bathroom around the Sanipack (011) system as you can select **any wall-hung toilet of your choice.**

Mix and match your fixtures (shower, sink) from other brands to complete your installation.

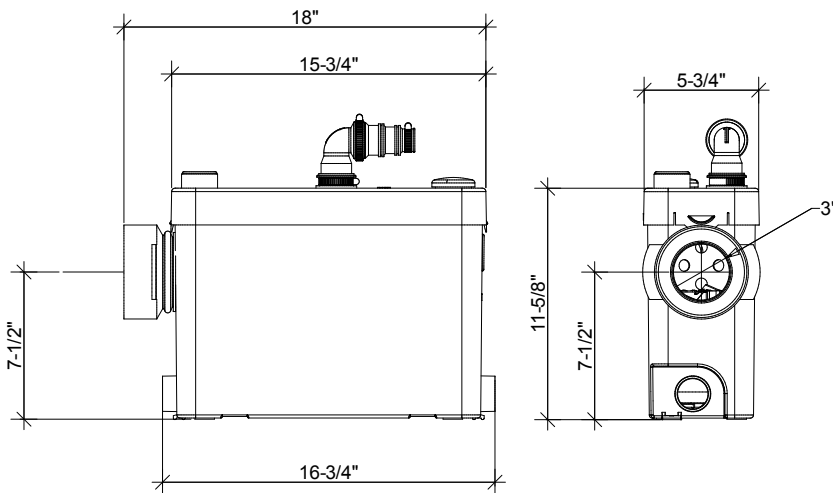
The macerating system is **easy to conceal as it can be installed behind or even in-between walls.** This type of installation gives you the clean look of a European bathroom.



PLEASE CALL US TOLL-FREE AT
800-571-8191 (US) / 800-363-5874 (CDN)
 TO PURCHASE PARTS REFERENCED BELOW



DIMENSIONAL DRAWINGS



Choose any wall-hung toilet, shower or sink and enjoy your dream bathroom.

TECHNICAL SPECIFICATIONS

Pump type:

Macerator

Electrical:

110 V – 60 Hz / 4.5 Amps (Max)

Motor:

0.5 HP oil-filled thermally protected motor

Capacitor rating:

45 microfarad

Operating Temperature:

104°F (110°F Max.)

Power cord length:

48 inches

Noise level:

≤ 53 dBA (Lp) (measured at 3 ft.)

Discharge pipe diameter:

3/4" or 1"

Discharge rate at 15 ft:

17 GPM

Discharge rate at 3 ft:

27 GPM

Shut-off head:

30 ft.

Normal running time:

Depends on toilet system

Capacity:

3.5 gallons / 13.2 liters

Inlets:

1-1/2" (sides), 1-1/2" vent (top)

Method of activation:

Membrane/microswitch

Shower/bathtub base height:

6" min

Weight:

17 lbs / 7.7 kg

Certifying agencies:

CSA (IPC, NSPC), IAPMO (UPC)

Recommended accessories:

Descaler, Sanialarm

Connections:

Wall hung toilet, sink, shower

