

# SFA

212

09.13  
IND1



The user should retain these instructions for future reference  
A lire attentivement et à conserver à titre d'information

## **IMPORTANT**

**DO NOT RETURN ANY MERCHANDISE TO THE VENDOR  
NE PAS RETOURNER DE MARCHANDISE AU VENDEUR**

For customer Service, Returns or Technical Questions, please call Saniflo's Technical support toll-free at  
800-571-8191 (USA) or 800-363-5874 (CDN).

Pour le service client, les retours ou toute question technique, merci d'appeler le service technique de Saniflo  
au numéro suivant : 800-571-8191 (USA) or 800-363-5874 (CDN).

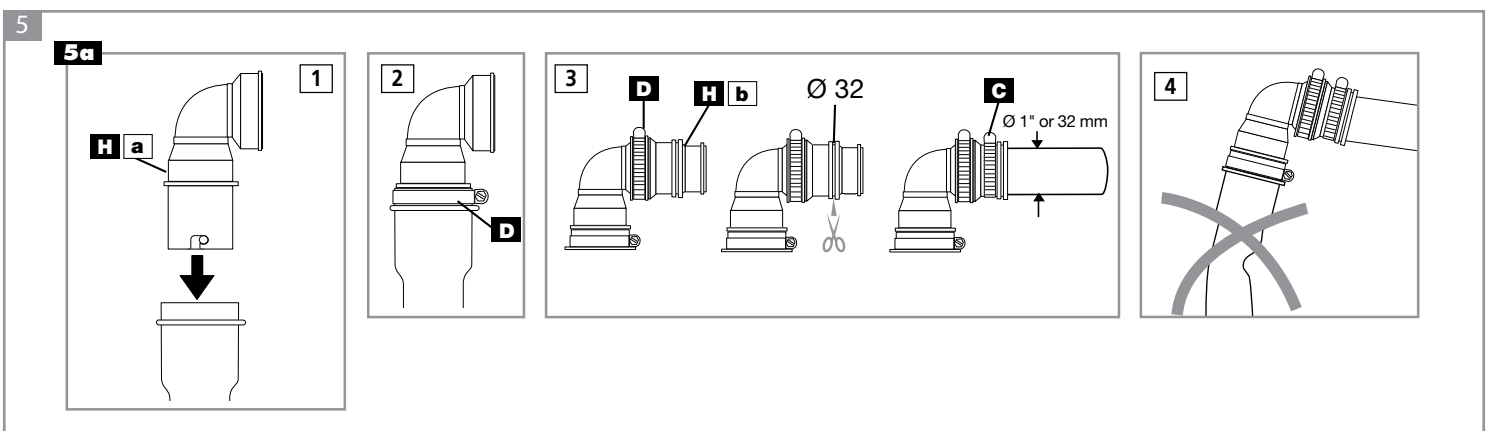
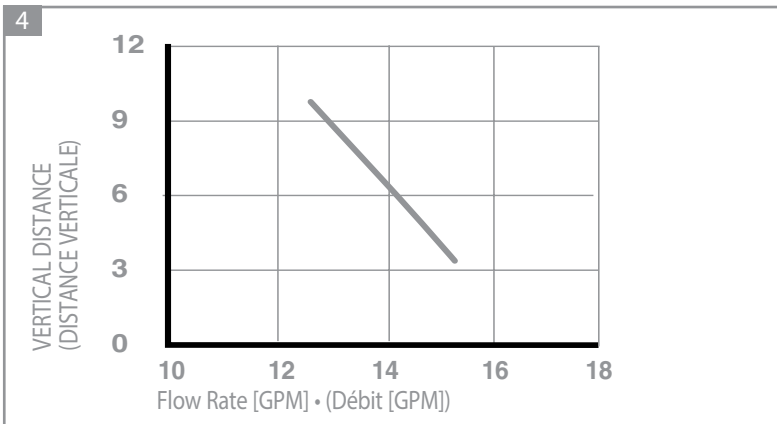
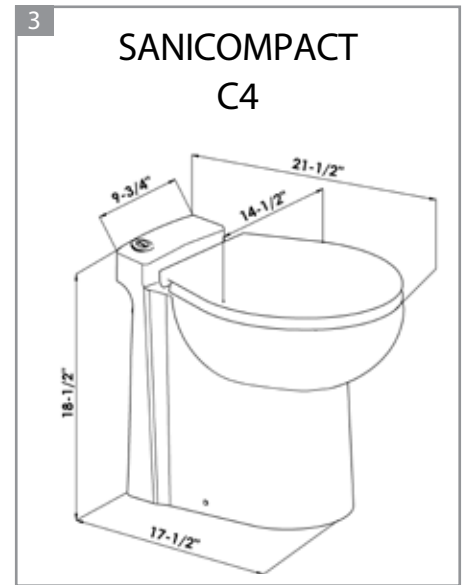
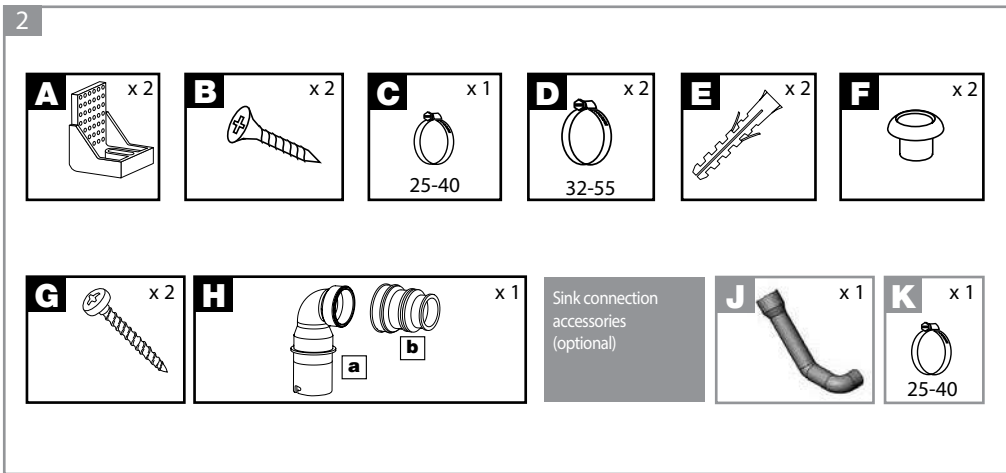
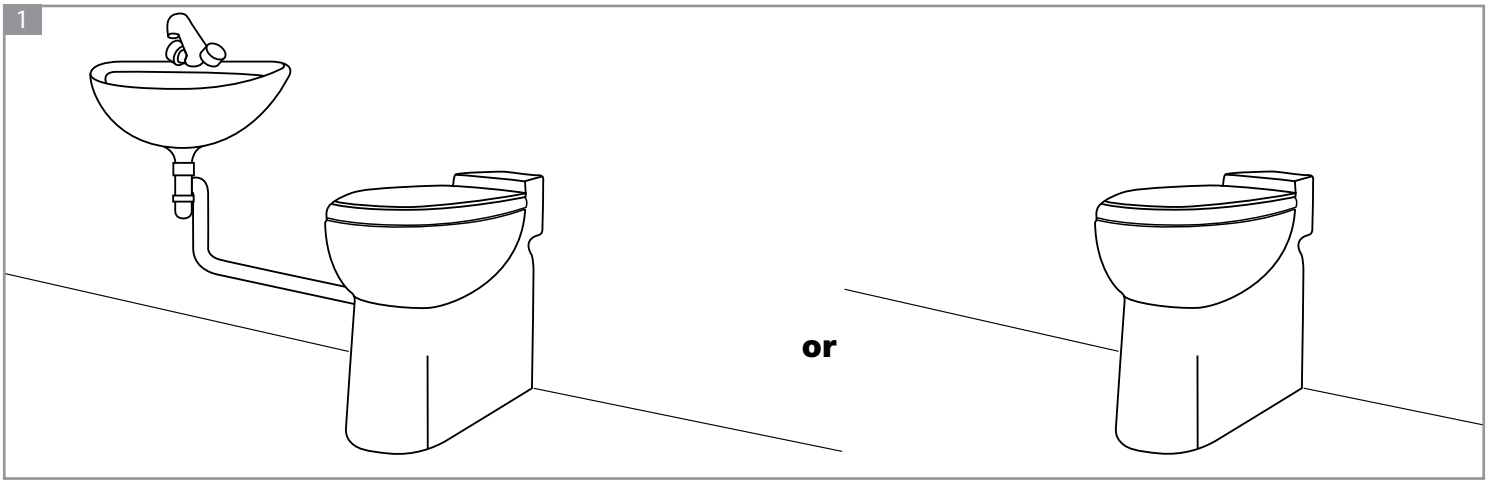
**This product must be installed in strict accordance with local plumbing codes.  
Product should be installed by a license plumber.**

**Le produit doit être installé dans le respect des règlements sanitaires locaux.  
Le produit doit être installé par un plombier qualifié.**

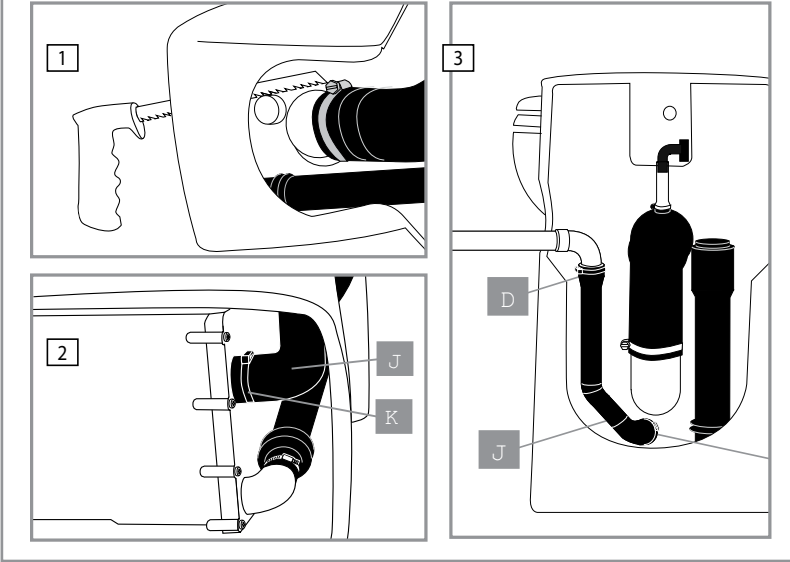


## **INSTALLATION AND MAINTENANCE INSTRUCTIONS INSTRUCTIONS D'INSTALLATION ET D'ENTRETIEN**

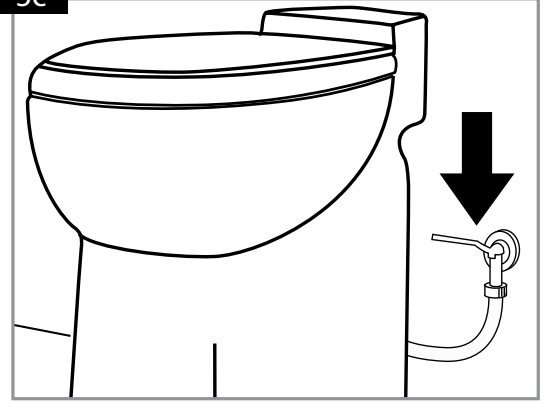
**SANICOMPACT®**



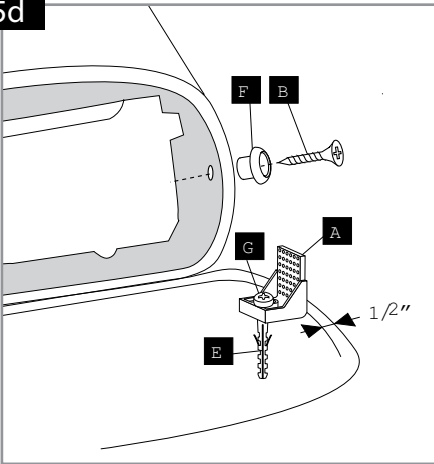
5b



5c



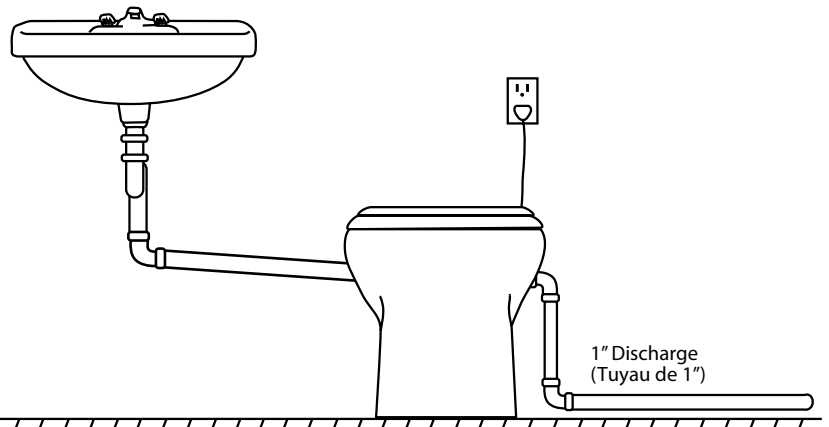
5d



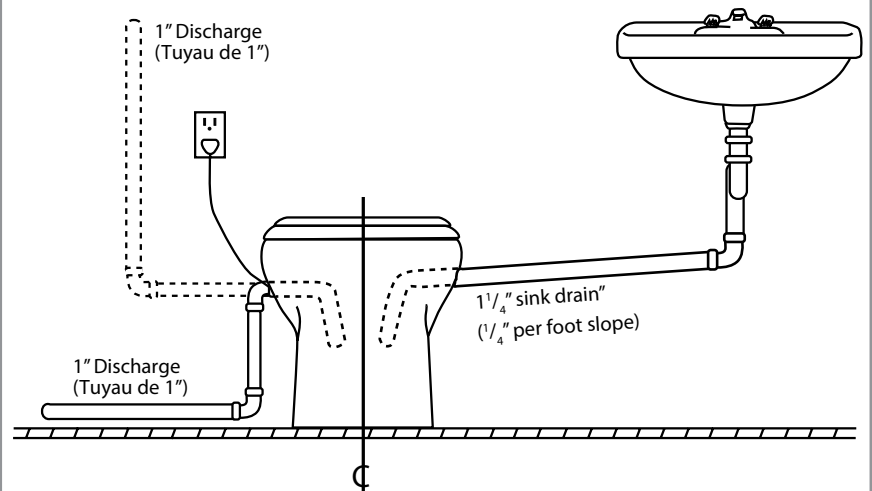
5e

**TYPICAL INSTALLATION (INSTALLATION TYPIQUE)**

SANICOMPACT® in combination with a gravity fed sink  
(Le SANICOMPACT® relié à un lavabo à écoulement par gravité)



**ALTERNATE INSTALLATION (INSTALLATION ALTERNATIVE)**



**SANICOMPACT® C4**  
SFA SANIFLO

**120 V - 60 Hz - 7,2 A - 0.3 HP - ⚡**

**Sanicompact 4 - 67 lbs**



## 1 GENERAL DESCRIPTION

The **SANICOMPACT®** is a combination of a floor-mounted vitreous china toilet with a built-in macerating and pump system.

The **SANICOMPACT®** is meant to be installed in residential applications and can be adapted to discharge gray water from a sink.

The **SANICOMPACT®** is comprised of two major components: the china toilet body and the macerating/pump unit in the base of the toilet.

## 2 NORMAL OPERATING CYCLE

**SANICOMPACT®** is controlled by an electronic program with two functions.

- It has a macerating and pumping function. To begin press on either side of the push button (light grey: small flush, dark grey: large flush) integrated to the bowl.
- The pump cycle cleans the washbasin waste. This is an automatic operation that will activate as long as water from the washbasin enters the unit.

## 2 LIST OF PARTS SUPPLIED

See fig. n°2 (technical data sheet).

## 3 DIMENSIONS See fig. n°3 (technical data sheet).

## 4 PERFORMANCE CURVE AND TECHNICAL DATA

See fig. n°4 (technical data sheet).

APPLICATION	1 WC + sink
Maximum vertical pumping	9 feet
Voltage	110-115 V
Frequency	60 Hz
Normal power rating	960 W
Maximum current consumption	7,2 A
Maximum water temperature	95° F
Electric class	I
Degree of protection	IP44
Net weight	67 lbs
Horse power	0.3 HP

**WARNING:** Only installations conforming to the above specifications are acceptable.

## 5 INSTALLATION

### 5a ATTACHING THE TOILET TO THE FLOOR

**IMPORTANT:** Make sure to install the toilet seat before mounting the bowl.



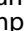
Place the **SANICOMPACT®** in the desired location.

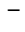
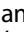

Trace around the outline of the bowl and mark the position of the fixing screws. Remove the bowl and then mark the position of the fixing brackets ½" (15 mm) inside the traced outline.

Drill through the flooring and if necessary, add silicone around the location of the toilet bowl. Install the fixing screws and brackets.

Put the **SANICOMPACT®** in place. Use the screws to fix the **SANICOMPACT®** to the floor.

### 5b CONNECTION OF THE DISCHARGE ELBOW

- 1 - Fully insert the elbow  in the end of the rubber waste tube, after turning it to face in the desired direction.
- 2 - Fix the base of the elbow  and tighten it on the rubber waste tube with a clamp .

- 3 - Connect the sleeve  to the end of the elbow with the clamp . If needed, cut off the end of the sleeve to adapt it to the diameter of the discharge line. Connect the 1" wastepipe into the sleeve and secure with clamp .

- 4 - **Warning:** Ensure that you do not twist the discharge pipework inside the unit.

**IMPORTANT:** Protect pipes against freezing with appropriate insulation. If the toilet is installed in an unheated location during freezing periods protect it as follows:

- Shut off the water supply,
- Activate one cycle without water,
- Pour antifreeze in the bowl (2 liters),
- Flush the toilet.

**IMPORTANT:** Any bends in the discharge pipe run should be smooth radius bends. If using plastic pipe two 45 degree offsets can be used to form a smooth bend.

When connecting the discharge pipe, it is recommended to install a ball valve for servicing purposes on the lowest point of the vertical discharge.

The connection to the soil-stack should be made with an approved TY fitting and should be in accordance with your local plumbing code.

**Note:** The connection should always be done going into the top of the soil stack to prevent any back pressure into the discharge line from the unit.

### 5b INSTALLATION OF A SINK

See fig. n°5b 1, 2, 3 (technical data sheet).

To drain a sink into the **SANICOMPACT®**, the sink hose (provided) would have to be installed. Lay the **SANICOMPACT®** on its side and cut the nipple which is situated on the motor cover that can be seen through the back of the unit. Connect the flexible sink hose and secure it to the motor cover using a clamp. A 1-1/4" drain pipe coming from the sink will connect to the other end of the sink hose which should also be secured by means of a clamp. Note that if the sink is installed on the left hand side of the bowl (while facing the front of the toilet), it will be required to have additional back room to create a loop into the sink hose connection. As the discharge line interferes with the sink hose connection, this will only be required when the sink is installed to the left of the bowl.

### 5c WATER SUPPLY CONNECTION

See fig. n° 5c (technical data sheet).

For the best possible flushing action, the **SANICOMPACT®** needs to be connected to a 1/2-inch water supply. The **SANICOMPACT®** is supplied with a supply hose. The copper end of this supply tube will fit inside the 3/8-inch compression end of a shut-off valve. Due to the international distribution of our product range, it may be possible that the tip of the supply connector is metric. Simply cut this portion off and you are left with a 3/8" connector.

**Note** that a 3/8" compression fitting (not provided) is required for the installation of the water supply line.

### 5d ELECTRICAL CONNECTION

The **SANICOMPACT®** should be connected to a 120 V, 60 Hz, 15 Amp. Ground Fault Circuit Interrupter, (either of the breaker or receptacle type).

Connect only to receptacle protected by a ground fault circuit.

**Warning:** risk of electric shock - this pump is supplied with a grounding conductor and grounding type attachment plug to reduce the risk of electrical shock be certain that it is connected only to a properly grounded - type receptacle.

**Note:** Do not connect the **SANICOMPACT®** to a power source supplied by an inverter.

## START-UP AND PROGRAMMING

### 59 START-UP

- 1 - Plug in the power socket. Wait 20 seconds: appliance initializing. Open the water tap to rinse well. Start the **normal flush by pressing the dark grey button**. Put a few sheets of toilet paper down in the bowl and flush again.

**Note:** This unit does not need to be vented.

- 2 - Turn on the sink tap. The unit should sink activate automatically.
- 3 - Demount the bowl and check the water tightness of all connections.
- 4 - **WARNING:** Leaking faucets will cause the unit to activate automatically.

### 51 PROGRAMMING

The length of your **SANICOMPACT®**'s flush varies according to which cycle you choose.

#### **Eco flush (by default, light grey button):**

19 seconds and 1 gallon (3.8L): rinsing of the bowl for 10 seconds, the pump works for 7 seconds (for 7 seconds, the bowl continues to fill), then the bowl fills again for 2 seconds.

You can lengthen the first rinse of the eco flush to 16 seconds if the default flush is not enough.

#### **Normal flush (dark grey button):**

25 seconds and 1.32 gallons (5L): The bowl is rinsed for 16 seconds, the pump works for 7 seconds (for 7 seconds, the bowl continues to fill) then the bowl fills again for 2 seconds.

#### **To re-program:**

**Note:** Only the ECO option can be reprogrammed.

- Hold the ECO button (light grey button) down for 5 seconds.
- The motor works for 2 seconds, this means you have entered programming mode.
- Each time you press the dark grey button you increase the length of the ECO flush by 1 second: each time you press it will be validated by the motor running for a short period.
- Each time you press the grey button you decrease the length of the flush by 1 second: each time you press it will be validated by the motor running for a short period.

#### **To exit programming mode:**

- Wait for 5 seconds without pressing any buttons.

**The motor runs for 2 seconds, this means that you have left programming mode.**

**Comment 1:** the minimum length of the first rinsing flush for the normal flush is 19 seconds (default programming) and the maximum length is 25 seconds.

**Comment 2:** the normal flush cannot be modified.

### 51 USAGE

- 1 - The **SANICOMPACT®** pump/macerator does not require any special maintenance.
- 2 - **WARNING: The SANICOMPACT® should only be used for the evacuation of normal human waste, toilet paper and household toilet cleaners. Damage may occur to the motor if the following are disposed of via the toilet: cotton wool, tampons, sanitary napkins, wet wipes, kitchen towels, condoms, dental floss as well as other fabric or hard objects. Solvents, acids and other chemicals can also cause damage to the unit, and will invalidate the warranty.**
- 3 - **WARNING:** In case of prolonged power failure, or going on vacation, please close the stop valve of the the sink and water supply.

### 51 RETURN OF THE UNIT

In the unfortunate event that the **SANICOMPACT®** is defective and has to be returned for service, we suggest to remove the macerating/pump from the porcelain bowl. Please ensure that it has been thoroughly cleaned and disinfected inside and outside prior to packaging for dis-

patch. Do not submerge the motor completely in water; the electrical components might be damaged beyond repair.

### 51 DISMANTLING AND REMOVING THE MOTOR FROM THE TOILET

#### **FOR QUALIFIED PERSONNEL ONLY**

1. Disconnect the **SANICOMPACT®** from the electrical supply.
2. Close the Shut-Off valve and disconnect toilet supply tube.
3. (If installed) Close Gate or Ball Valve and disconnect from discharge pipe system.
4. Current model the screws holding the Sanicompact are on the sides.
5. In the rear of the unit, look for a clear plastic hose going from the solenoid valve to a black elbow in the top of the bowl. With a twisting motion pull the black elbow out of the porcelain.
6. In the rear of the unit, look for a large rubber elbow, going from the motor to the p-trap of the toilet. Unscrew the gear clamp near the motor (holding the rubber elbow).
7. The motor is assembled in the reverse of the above.

**Special Note for Service People:** In order to inspect the blade and motor mechanism, a Torx (#20) bit will be needed to remove the cover. There are 12 screws holding the case cover. In order to inspect the capacitors, circuit board and electronics, Triwing (#3) bit will be needed. Only four screws hold this cover.

#### **IMPORTANT / SERVICE**

Before returning the motor to the factory, a return authorization is needed from the manufacturer since some repairs may be done in the field. Parts or motors send in for repair, must be send pre-paid. Units sent collect and/or sent without prior authorization, will be refused.

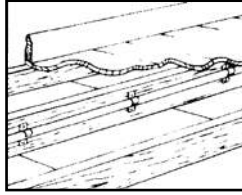
Package the macerating/pump unit properly with adequate shock absorbent material around it. Send package prepaid to the manufacturer, making sure to insure against loss and/or transit damage, (the amount of \$ 250.00 will suffice).

If any repairs are done outside the warranty period, or when the user damages the macerating/pump unit, an estimate of repair cost will be communicated to the customer. All repairs (parts and labour) will be done on a pre-paid basis only.

## 6 ADVICE

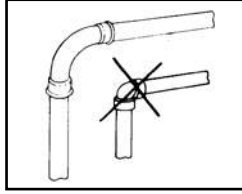
### PIPE SUPPORTS

All sanitary pipe work must be supported, in accordance with the pipe manufacturers recommendations, to avoid dipping, which may cause the build up of residual water and subsequent blockage.



### BENDS

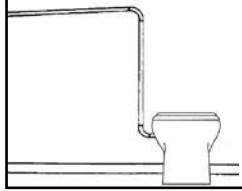
Where possible long sweeping bends should be used. Do not use short straight elbows. If sweeping elbows are not available, use two 45 degree elbows back-to-back to make a 90 degree turn.



### VERTICAL INSTALLATION FIRST

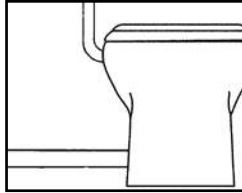
If vertical lift is required, this must precede the horizontal pipe run.

The vertical discharge pipe should first bypass the bowl, do not extend the horizontal portion of the pipe for more than 12-18 inches.



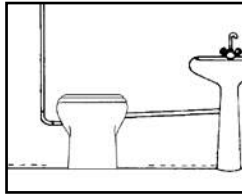
### EASY ACCESS

The unit should be accessible and removable in the event of maintenance being required. During the installation a full-port gate valve should be fitted at the base of any vertical discharge pipe work from the unit to allow easy removal of the unit without flooding.



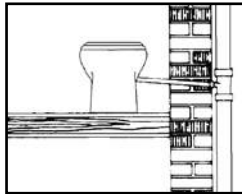
### GRAVITY FALL

Horizontal discharge pipe work must also have a positive gravity fall to allow free drainage when the pump stops.



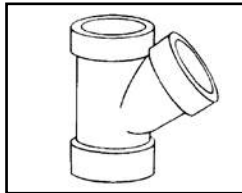
### THREE FEET MINIMUM

The macerating/pump must have at least 3 feet of total pipe run in between the pump and soil stack. This will cause the macerator to operate for an adequate period of time to ensure waste reduction.



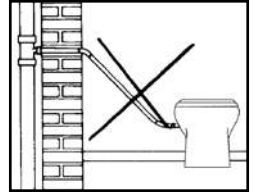
### SOIL STACK CONNECTION

This unit must discharge into a minimum 3-inch sanitary drainage pipe. All discharge pipe work must be connected to the soil stack by an appropriate and approved TY connection. Please note: the use of a Saddle Clip may be prohibited in your area.



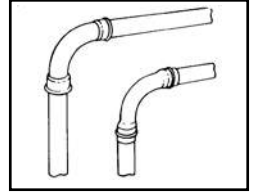
### NO DIAGONAL "UPHILL" PIPE RUNS

All discharge pipe work from the unit should run either directly vertical upwards from it or in a horizontal plane (with a small gravity flow) to the point of discharge. Pipe work should not be installed with diagonal upward slope from the unit.



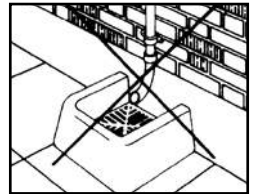
### PIPE WORK

All pipe work should be either copper or solvent weld plastic (PVC, CPVC). Do not use flexible pipes.



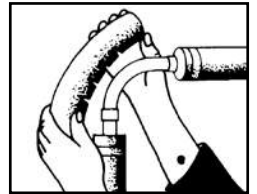
### DISCHARGE

Never discharge directly into an open drain, manhole or rainwater drain pipe. It is illegal.



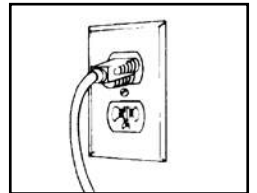
### FREEZING

Ensure all pipe work susceptible freezing is adequately insulated. The toilet and macerating/pump unit must be properly winterized in unheated buildings.



### ELECTRICITY

Before attempting any maintenance or servicing, the unit must be disconnected from the power source. The **SANICOMPACT**® must be connected to a Ground Fault Circuit Interrupter and be supplied with 120V, 60Hz.



# LIMITED WARRANTY

## Warranty period two-year from date of purchase

Subject to the conditions listed below, SFA-SANIFLO INC. (hereinafter called the «Company») guarantees to repair or at its option replace the product or any component thereof, which, in the opinion of the Company, is faulty or below standard as a result of inferior workmanship or materials.

If replacement is to be issued, this will only be extended to the first year starting from the date of purchase. Warranty repairs will apply after such date up to the warranty's date of conclusion.

Note that the replacement and repair option would only apply to the motor block inside the porcelain. If there is no damage to the bowl, Saniflo will replace the motor only without the porcelain bowl. In case there are damages to the porcelain, it would be the responsibility of the consumer to provide this information to the manufacturer within 30 days from the date of purchase.

### CONDITIONS

The conditions of this guarantee are:

- 1.The product must not have been subjected to misuse, neglect, accident or damaging products, in accordance with these installation instructions.
- 2.The product must be connected to a single phase 120V, 60Hz electrical supply.
- 3.The alleged fault or defect must be notified to the company, within the warranty period.

### PART OR PRODUCT EXCHANGE

The product will be exchanged, free of charge, at the original resellers place of business only, upon the followings conditions being fulfilled:

- 1.The customer needs a «return authorization» number from the company to authorize and validate the exchange.
- 2.The customer must supply a copy of their invoice to validate the request for an exchange.

### LIMITATIONS

- 1.Vitreous china is guaranteed only for a factory defect.
- 2.Cost of disconnection and reconnection (i.e. labor charges) are not covered by the warranty and are the end-users responsibility.
- 3.Cost of mail or freight when a part or parts of the system have to be repaired at the company are not covered by this warranty.
- 4.In no event shall the company be reliable for any special, incidental or consequential damage, loss, or injury of whatsoever nature or kind arising from or in connection with the product or any component thereof.
- 5.The guarantee is transferable only when the product remains at the same premises as where it was installed initially.

Except as set forth in this Limited Warranty, the company disclaims all other warranties, express or implied, with respect to the product or any component thereof including, but not limited to, all implied warranties for merchantability and fitness for a particular purpose

---

For service or for further inquiries, please call or contact one of the following addresses:

#### United States

SFA-SANIFLO INC.  
105 Newfield Avenue, Suite A  
Edison, NJ 08837

Toll Free: 1-800-571-8191  
Telephone: 1-732-225-6070  
Fax: 1-732-225-6072  
E-mail.: sfasales@saniflo.com  
Web Site: www.saniflo.com

#### Canada

SFA-SANIFLO INC.  
1-685 Speedvale Avenue West  
Guelph, ON  
N1K 1E6

Toll Free: 1-800-363-5874 English  
Toll Free: 1-800-877-8538 French  
Telephone: 1-519-824-1134  
Fax: 1-519-824-1143  
E-mail.: sales@saniflo.com  
Web Site: www.saniflo.ca



## 1 DESCRIPTION GÉNÉRALE

Le **SANICOMPACT®** est un ensemble formé d'un cabinet d'aisances en porcelaine vitreuse et d'un système intégré de chasse d'eau, de broyage et de pompage. Ses deux principaux composants sont le cabinet d'aisances en porcelaine et l'ensemble broyeur-pompe, logé dans la base du cabinet.

## 1a PRINCIPE DE FONCTIONNEMENT

**SANICOMPACT®** est commandé par un programmeur électronique.

Il peut avoir 2 fonctions :

- broyage/pompage, en fonctionnement WC : Le démarrage s'effectue en appuyant sur l'une des deux parties grisées du bouton double-chasse (gris clair : petite chasse, gris foncé : grande chasse) du bouton intégré à la cuvette.
- pompage seul, pour évacuation des eaux usées d'un lave-mains : le démarrage est automatique. La durée de fonctionnement dépend du volume d'eau à pomper.

## 2 LISTE DES PIÈCES FOURNIES

Voir fig. n°2 (cf. fiche technique).

## 3 DIMENSIONS ET ENCOMBREMENT

Voir fig. n° 3 (cf. fiche technique).

## 4 COURBE DE PERFORMANCES

Voir fig. n°4 (cf. fiche technique).

## 5 INSTALLATION

### FIXATION CUVETTE

5d Placer le **SANICOMPACT®** à l'endroit voulu sans le fixer.

Tracer l'emplacement de la cuvette et des vis de fixation en plaçant les équerres à ½ po (15 mm) du tracé de la cuvette.

Retirer la cuvette.

Percer le revêtement du sol.

Éventuellement, tracer un joint de silicone à l'emplacement de la cuvette si on dispose de temps.

Placer les vis et les équerres de fixation.

Placer le **SANICOMPACT®**

Fixer le **SANICOMPACT®**, au sol, à l'aide des vis.

### 5a RACCORDEMENT DE L'ÉVACUATION

- 1 - Enfoncer à fond le coude 1a 1b dans l'extrémité du tuyau caoutchouc d'évacuation après l'avoir orienté dans le sens désiré.
- 2 - Fixer la base du coude 1a 1b et le serrer sur le tuyau caoutchouc d'évacuation avec un collier 1c.
- 3 - Raccorder le manchon 1d 1e au bout du coude avec le collier 1c. Couper l'extrémité du manchon pour l'adapter au tuyau d'évacuation. Raccorder dans son extrémité un tube en CPVC ou PVC de Ø 1 po (32 mm) extérieur puis serrer avec le collier 1c.
- 4 - **Attention** : ne pas plier ou tordre le tuyau d'évacuation en caoutchouc.
- 5 - **Attention** : éviter absolument des points bas dans la conduite d'évacuation où l'eau pourrait stagner. Prévoir une pente descendante de 1% pour les parties d'évacuation "horizontales".
- 6 - **Attention** : protéger les canalisations contre le gel par des isolants appropriés. Si l'appareil est installé dans des locaux non habités pendant les périodes de gel, le protéger de la façon suivante :
  - Fermer l'arrivée d'eau,
  - Effectuer un cycle sans eau,
  - Verser de l'antigel dans la cuvette (2 litres),
  - Vidanger ensuite la partie montante de l'évacuation s'il y a lieu.

7 - **Attention** : la conduite d'évacuation doit avoir le moins de coudes possible. Éviter des angles trop serrés.

Rejoindre la canalisation des eaux vannes sans parcours tortueux.

8 - **Conseil** : en bas de conduite d'évacuation remontante prévoir une purge pour permettre la vidange en cas d'une intervention.

Ne reliez pas encore le petit morceau de tuyau à l'installation d'évacuation. Si l'installation requiert la pose d'un tuyau d'évacuation vertical (et si elle est faite avec un matériau de 1 pouce), vous voudrez peut-être poser un robinet-vanne à passage intégral aux fins d'entretien avant de terminer l'installation du tuyau d'évacuation.

Le raccordement à la colonne de renvoi doit se faire en posant un raccord approuvé à cette fin et en respectant les normes de plomberie de votre région.

**Remarque** : La connexion devrait toujours se faire au-dessus de la colonne de renvoi pour éviter tout retour de pression dans la conduite de refoulement de l'unité.

La tuyauterie peut être installée jusqu'à neuf pieds de hauteur, car elle possède un clapet anti-retour. **(Il n'est pas recommandé d'ajouter un clapet de retenue supplémentaire.)** Le tuyau de vidange peut être installé en position ascendante ou descendante. S'il est en position descendante, il faut garder une distance de 14 pouces (35cm) entre le plancher et le haut (partie coudée) du boyau en caoutchouc (en parallèle sur une distance d'au moins 12 pouces (30cm)).

### 5b INSTALLATION DE LA TUYAUTERIE DE VIDANGE DU LAVE-MAINS

Voir fig. n°5b 1, 2, 3 (cf. fiche technique).

Pour installer cette tuyauterie il faut d'abord coucher le **SANICOMPACT®** pour couper le bout du mamelon de raccordement à la base du bloc-moteur. Bien ébavurer le mamelon et raccorder le flexible d'entrée coudé qui permet le branchement du lave-mains à l'aide de tuyaux standards. Le lave-mains doit être situé au même étage que le système de broyage.

### 5c RACCORDEMENT À LA PRISE D'EAU

Voir fig. n° 5c (cf. fiche technique).

Pour que la chasse d'eau fonctionne le mieux possible, il faut que le **SANICOMPACT®** soit relié à une conduite d'amenée d'eau de ½ pouce. Le **SANICOMPACT®** est fourni avec un tube d'amenée. L'extrémité en cuivre de ce tube s'adapte à l'intérieur de l'extrémité à compression de 3/8 pouce d'un robinet d'arrêt.

En raison de la distribution internationale de notre gamme de produits, il peut être possible que l'extrémité du connecteur d'alimentation est métrique. Simplement couper cette partie et vous sont laissés avec un connecteur 3/8".

**Remarque** : Un raccord de compression 3/8 «(non fourni) est requis pour l'installation de la ligne d'eau.

### 5d RACCORDEMENT ÉLECTRIQUE

Le **SANICOMPACT®** doit être relié à une source d'alimentation électrique de 120 V, 60 Hz et 15 A, protégée par un coupe-circuit en cas de défaut de mise à la terre du neutre (disjoncteur ou prise de courant).

Brancher sur un circuit électrique avec prise de terre.

**Attention** : risque électrique – cet appareil est muni d'une prise de terre – afin de réduire le risque d'électrocution, vérifier que votre appareil est branché sur un circuit électrique avec prise de terre.

**Important** : Évitez de connecter le **SANICOMPACT®** à une source d'énergie alimentée par un convertisseur.

### 5e INSTALLATION DES ATTACHES AU SOL

Voir fig. n° 5d (cf. fiche technique).



Après avoir installé la conduite d'amenée d'eau et le tuyau de vidange, placez le **SANICOMPACT®** de façon qu'il soit aligné avec la tuyauterie. Marquez le périmètre de la base sur le plancher à l'aide d'un crayon. Marquez les trous de fixation de la cuvette sur le plancher. Retirez l'appareil. Mesurez 3/8 pouce (1 cm) vers l'intérieur à partir du croisement des trous de fixation ; cette mesure marque l'endroit de l'arrière de l'étrier plastique qui reposera sur l'intérieur de la cuvette en porcelaine. Marquez et percez les trous. Si l'appareil est installé sur un plancher de béton ou de pierre, percez deux trous de 5/16 pouce (8mm) à une profondeur d'environ 2 pouces (50mm) et insérez les chevilles. Dans le cas d'une installation sur un plancher de bois, percez un trou de guidage pour des vis à bois numéro 10. Ne serrez pas trop les vis, car la base en porcelaine pourrait craquer.

## MISE EN SERVICE ET PROGRAMMATION

### 🔌 MISE EN SERVICE

- 1 - Brancher la prise de courant. Attendre 20 secondes : initialisation de l'appareil. Ouvrir le robinet d'eau à fond pour obtenir un bon rinçage. **Démarrer le cycle normal en appuyant sur la partie grise foncée du bouton double chasse.** Jeter quelques feuilles de papier hygiénique dans la cuvette puis effectuer de nouveau un cycle.
- 2 - Laisser couler le robinet du lavabo, l'appareil doit se mettre en marche automatiquement.
- 3 - Redémonter la cuvette, vérifier la parfaite étanchéité de tous les raccordements.
- 4 - **ATTENTION** : le robinet du lave-mains doit être parfaitement étanche. Une fuite même légère, provoque des démarrages intempestifs du **SANICOMPACT®**.

### 🕒 PROGRAMMATION

La durée de chasse de votre **SANICOMPACT®** varie selon le cycle choisi.

#### **Cycle éco (par défaut, touche gris clair) :**

19 secondes et 1 gallon (3,8 L) : rinçage de la cuvette pendant 10 secondes, la pompe se met en marche pour une durée de 7 secondes (pendant 7 secondes, la cuvette continue à se remplir), puis la cuvette se remplit à nouveau pendant 2 secondes.

Vous avez la possibilité si nécessaire d'allonger la durée du premier rinçage du cycle éco jusqu'à 16 secondes si celle par défaut n'est pas suffisante.

#### **Cycle normal (touche gris foncé):**

25 secondes et 1,32 gallons (5 L) : la cuvette est rincée pendant 16 secondes, la pompe se met en marche pour une durée de 7 secondes (pendant 7 secondes, la cuvette continue à se remplir) puis la cuvette se remplit à nouveau pendant 2 secondes.

#### **Pour changer la programmation :**

**NOTE** : Seule la version ECO peut être programmée.

- Appuyez sur la touche ECO (touche gris clair) pendant 5 secondes.
- Le moteur se met en marche pendant 2 secondes, cela signifie que vous êtes entré dans le mode de programmation.
- A chaque pression sur la touche gris foncée, vous augmentez la durée du cycle éco d'une seconde : chaque impulsion est validée par une brève mise en route du moteur.
- A chaque pression sur la touche gris clair, vous diminuez la durée du cycle éco d'une seconde : chaque impulsion est validée par une brève mise en route du moteur.

#### **Pour sortir du mode de programmation :**

- Attendre 5 secondes sans appuyer sur aucune touche. **Le moteur se met en marche pendant 2 secondes, cela signifie que vous êtes sorti du mode de programmation.**

**Remarque 1** : la durée minimum du premier rinçage du

cycle éco est de 19 secondes (programmation par défaut) et la durée maximum est de 25 secondes.

**Remarque 2** : le cycle normal n'est pas modifiable.

### 🔧 RETOUR DE L'APPAREIL

Advenant le cas où le cabinet **SANICOMPACT®** serait défectueux et devrait être retourné pour le faire réparer, nous recommandons de retirer l'ensemble broyeur-pompe de la cuvette en porcelaine. Veuillez vous assurer que le cabinet a été soigneusement nettoyé et désinfecté, à l'intérieur comme à l'extérieur, avant de l'emballer. Ne submergez pas le moteur dans l'eau, car les composants électriques pourraient subir des dommages irréparables.

### 🔧 DÉMONTAGE ET ENLÈVEMENT DU MOTEUR.

#### **UNIQUEMENT POUR PROFESSIONNEL QUALIFIÉ**

1. Débranchez le **SANICOMPACT®** de la source d'alimentation électrique.
2. Fermez le robinet d'arrêt et détachez le tuyau de remplissage pour toilettes.
3. (Le cas échéant) Fermez le robinet-vanne et détachez-le de la tuyauterie de vidange.
4. Enlevez les vis qui fixent le **SANICOMPACT®** au sol. Tournez le cabinet sur le côté.
5. Enlevez les vis qui retiennent le moteur à la cuvette en porcelaine. Retournez ensuite le cabinet et répétez.
6. À l'arrière de l'appareil, repérez le boyau en plastique transparent qui relie l'électrovanne au coude noir, dans le haut de la cuvette. Retirez le coude noir de la cuvette en porcelaine, en tournant et en tirant.
7. À l'arrière de l'appareil, repérez le grand coude en caoutchouc qui relie le moteur au siphon en P de la toilette. Dévissez la bride de fixation située près du moteur (qui retient le coude en caoutchouc).
8. Répétez les étapes ci-dessus, dans l'ordre inverse, pour monter le moteur.

#### **IMPORTANT**

Avant de retourner le moteur pour le faire réparer, il faut obtenir une « autorisation de retour », car la plupart des réparations peuvent être effectuées sur place. Les pièces ou les moteurs retournés aux fins de réparation doivent être envoyés port payé. Les appareils envoyés port dû ou retournés sans autorisation ne seront pas acceptés.

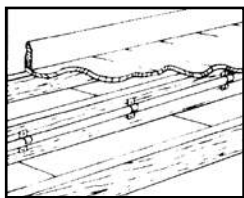
Emballer l'ensemble broyeur-pompe correctement, en prenant soin de l'entourer d'un matériau isolant adéquat. Expédiez le colis au fabricant, port payé, et veillez à le faire assurer contre les pertes et les dommages en transit. (La somme de 250 \$ devrait suffire.)

Lorsque des réparations sont effectuées en dehors de la période de garantie, ou si l'utilisateur endommage l'ensemble broyeur-pompe une estimation des frais de réparation est envoyée au client. Les réparations (pièces et main-d'œuvre) doivent obligatoirement être payées à l'avance.

## 6 CONSEILS

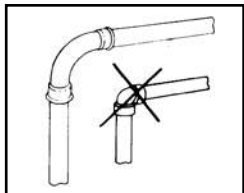
### FIXATION DES TUYAUX

Les tuyaux des installations sanitaires doivent toujours être fixés conformément aux recommandations du fabricant pour les empêcher de pendre, car ils pourraient alors être bloqués par une accumulation d'eau résiduaire.



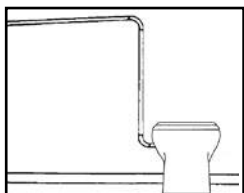
### COURBES DE TUYAU

Utilisez des courbes de tuyau plutôt que des coudes. Si cela n'est pas possible, utilisez deux coudes de 45°.



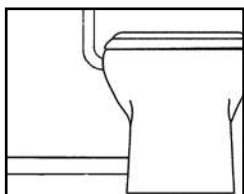
### LA TUYAUTERIE VERTICALE D'ABORD

Lorsqu'on installe des tuyaux à la verticale, il faut les poser avant de poser les tuyaux horizontaux.



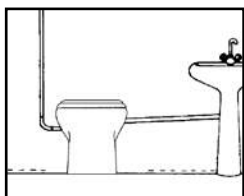
### DIRECTEMENT À LA VERTICALE

Le tuyau de vidange vertical doit d'abord contourner la cuvette. Le tronçon horizontal de la tuyauterie ne doit pas avoir plus de 12 po de longueur.



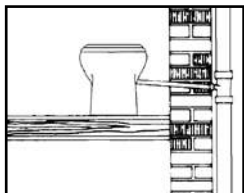
### ACCÈS FACILE

Il faut avoir accès à l'ensemble broyeur-pompe et pouvoir le déposer en cas de réparation. Au moment de l'installation, il faut poser un robinet-vanne à passage intégral, au bout inférieur de n'importe quel tuyau de vidange vertical, pour pouvoir enlever le bloc moteur-pompe sans causer de débordement.



### DESCENTE PAR GRAVITÉ

Le tuyau de vidange horizontal venant du lave-mains doit assurer l'écoulement absolu par gravité, pour que le drainage se fasse librement lorsque la pompe s'arrête.

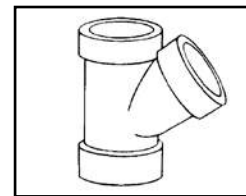


### DISTANCE MINIMALE

L'ensemble broyeur-pompe doit être installé à au moins trois pieds de la colonne de renvoi. De cette façon, le broyeur pourra fonctionner pour réduire efficacement le volume des déchets.

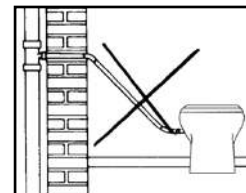
### RACCORDEMENT À LA COLONNE DE RENVOI

L'évacuation de cet appareil doit se terminer dans un tuyau d'évacuation d'un diamètre de 3 pouces minimum. Tous les tuyaux de vidange doivent être reliés à la colonne de renvoi au moyen d'un raccord approprié et approuvé à cette fin. Veuillez noter que l'emploi d'un étrier creux pourrait être interdit dans votre région.



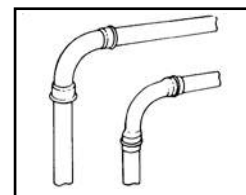
### PAS DE TUYAUX EN DIAGONALE

Le tuyau de vidange sortant du cabinet doit soit monter directement à la verticale, soit être en position horizontale (avec un léger écoulement par gravité) jusqu'au point d'évacuation. Il ne faut pas installer de tuyaux en diagonale à la sortie du cabinet.



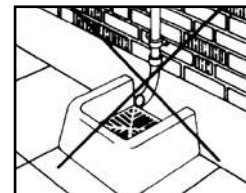
### TUYAUTERIE

Tous les tuyaux doivent être en cuivre ou en plastique soudé au solvant. N'utilisez pas de tuyaux flexibles.



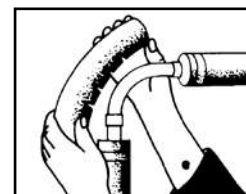
### VIDANGE

Ne déversez jamais les eaux usées directement dans un égout à ciel ouvert, un trou d'homme ou un drain pour les eaux de pluie, car cela est illégal.



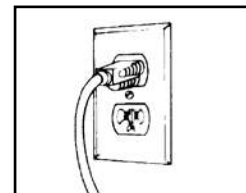
### GEL

Assurez-vous que tous les tuyaux susceptibles de geler sont suffisamment isolés. Le cabinet et l'ensemble broyeur-pompe doivent être adéquatement protégés contre le froid, dans les immeubles non chauffés.



### ÉLECTRICITÉ

Avant d'entreprendre des travaux d'entretien ou de dépannage, il faut débrancher l'appareil de la source d'alimentation électrique. Le **SANICOMPACT®** doit être protégé par un coupe-circuit en cas de défaut de mise à la terre du neutre et relié à une source d'alimentation électrique de 120 V et 60 Hz.



# GARANTIE LIMITÉE

Garantie de deux ans à partir de la date d'achat

Sous réserve du respect des conditions énoncées ci-dessous, SFA-SANIFLO INC. (ci-dessous appelée "la Compagnie") garantit qu'elle réparera ou remplacera, à son gré, le produit ou l'une quelconque de ses pièces, qui de l'avis de la Compagnie, se trouve défectueux ou ne répond pas à la performance demandée du fait d'un défaut de fabrication ou de matériau.

## CONDITIONS

Les conditions de la garantie sont :

1. Le produit ne doit pas avoir subi de mauvais traitement, de négligence, d'accident ou d'exposition à des produits nocifs, conformément au paragraphe intitulé «UTILISATION»;
2. Le produit doit avoir été branché à une prise de courant monophasé 120V, 60Hz ;
3. Le présumé défaut ou la présumée défaillance doit être signalé (e), sinon à l'installateur, du moins à la Compagnie, durant la période de garantie en vigueur.

## ÉCHANGE DE PIÈCE OU DE PRODUIT

Le produit sera échangé sans frais, à l'établissement de détail où il a été acheté seulement, sous réserve du respect des conditions suivantes :

- Le client devra être en possession d'un numéro «d'autorisation de retour» de la Compagnie afin d'autoriser et de valider l'échange ;
- Le client doit fournir une copie de sa facture pour valider la demande d'échange.

## RESTRICTIONS

1. La porcelaine est garantie seulement contre les défauts de fabrication ;
2. La garantie ne couvre pas les frais de branchement et rebranchement de l'installation (c.-à-d. les frais de main-d'œuvre) qui sont à la charge du client ;
3. La garantie ne couvre pas les frais d'expédition ou de transport quand une pièce ou des pièces de l'appareil doit(vent) être réparé(e)s à l'usine ;
4. En aucun cas la Compagnie ne sera tenue responsable des dommages accessoires ou indirects, pertes ou blessures, de quelle que nature que ce soit, résultant de l'utilisation du produit, ou de l'un de ses composants ;
5. La garantie est transférable seulement si l'appareil demeure à l'endroit où il fut installé initialement.

Sauf pour ce qui est des termes de cette garantie limitée, la Compagnie n'accepte aucune autre garantie, implicite ou explicite, ayant trait au produit ou à tout composant y afférent, incluant sans toutefois s'y limiter, toute autre garantie implicite quant à la valeur marchande ou l'adaptabilité de ce produit à une fin particulière.

---

Pour le service et d'autres demandes de renseignements, veuillez appeler à l'une des adresses indiquées ci-dessous.

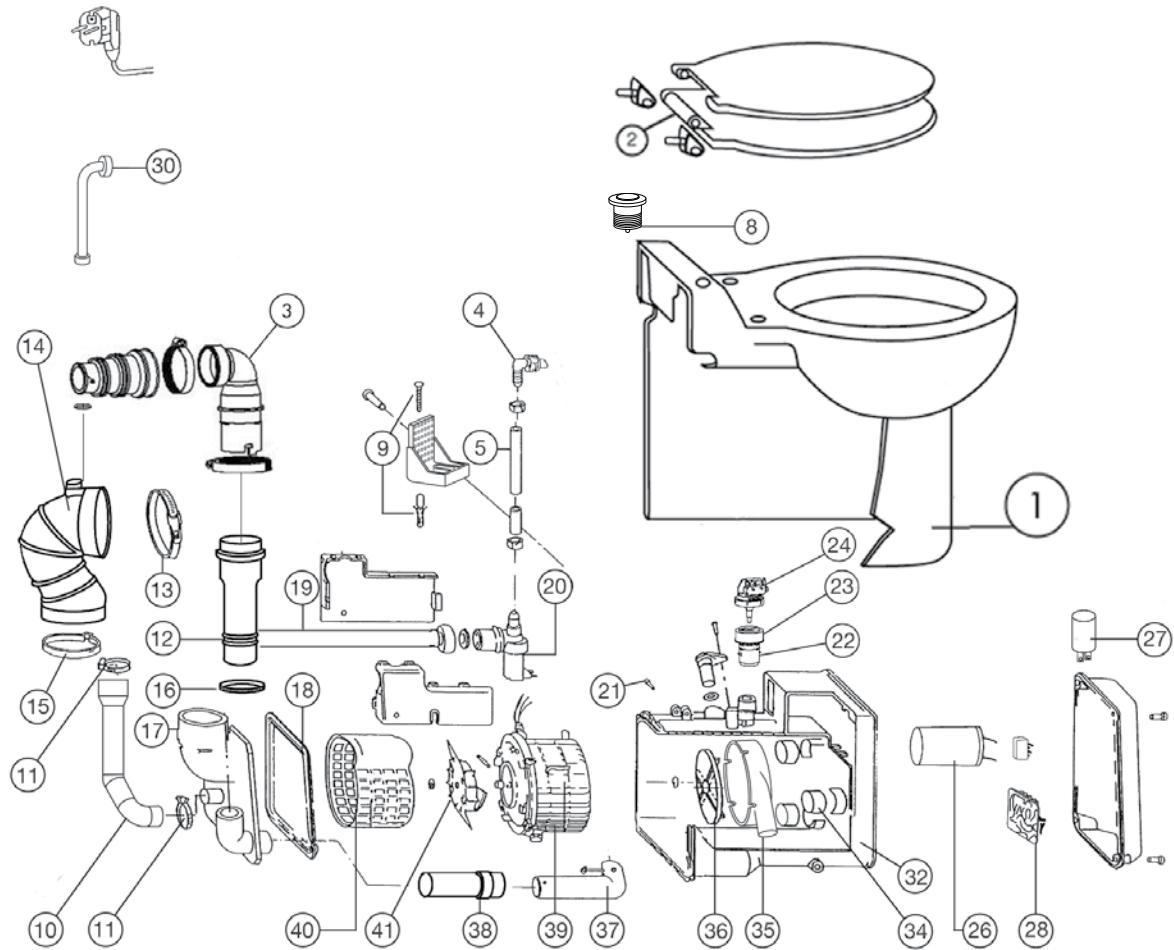
États-Unis  
SFA-SANIFLO INC.  
105 Newfield Avenue, Suite A  
Edison, NJ 08837

Canada  
SFA-SANIFLO INC.  
1-685 Speedvale Avenue West  
Guelph, ON  
N1K 1E6

Numéro sans frais : 800-571-8191  
Téléphone : 732-225-6070  
Télécopie : 732-225-6072  
C.élec. : [sfasales@saniflo.com](mailto:sfasales@saniflo.com)  
Site Web : [www.saniflo.com](http://www.saniflo.com)

Numéro sans frais : 800-363-5874 Anglais  
Numéro sans frais : 800-877-8538 Français  
Téléphone : 519-824-1134  
Télécopie : 519-824-1143  
C.élec. : [sales@saniflo.com](mailto:sales@saniflo.com)  
Site Web : [www.saniflo.ca/fr](http://www.saniflo.ca/fr)

# EXPLODED DRAWING / DESSIN ÉCLATÉ



## Parts Description

1 Bowl C4	13 Gear clamp 60/80	23 Air chamber	36 Impeller
2 Seat & Mounting Kit C48	14 Elbow siphon	24 Pressure switch-level	37 Inner discharge elbow-lower Compact
3 Discharge Elbow Compact	15 Gear clamp 50/70	25 Crimp Clamp 20/32	38 Inner discharge elbow-upper Compact
4 Water Inlet	16 Gear clamp 39.6	26 Capacitor 25µF	39 Inner discharge elbow-upper Compact
5 Clear tubing 10/14	17 Motor cover Compact	27 Capacitor 25µF	40 Motor block complete
8 Dual flush push button	18 Gasket for cover Compact	28 Circuit board	41 Grille Compact
9 Floor Mounting Kit	19 Supply Hose	30 One way air vent	49 Cutting blade
10 Elbow hand basin 30/40	20 Solenoid valve	32 Motor housing	49 Starting pressure switch
11 Gear Clamp	21 Screw Panel 3x8	34 Shock absorbers	
12 Discharge Hose	22 Crimp clamp 25.6	35 Pump flange	

## Nomenclature

1 Cuvette	11 Collier	20 Électrovanne	32 Carter du moteur	41 Couteau
2 Siège et abattant	12 Durite	21 Vis du panneau	34 Amortisseurs	
3 Coude de sortie	13 Bride de fixation	22 Collier à oreille	35 Fond de pompe	
4 Entrée d'eau	14 Coude siphon	23 Chambre de pression	36 Turbine	
5 Tube transparent	15 Bride de fixation	24 Pressostat	37 Coude d'évacuation interne	
8 Bouton double-chasse	16 Collier	25 Collier	38 Tube d'évacuation interne	
9 Vis taraudeuses + chevilles	17 Couvercle du moteur	26 Condensateur 25µF	39 Moteur	
10 Coude de sortie 30/40	18 Joint du couvercle	27 Condensateur 25µF	40 Panier	
	19 Tuyau alimentation eau	28 Minuterie		
		30 Tube-évent		